

FORSETI

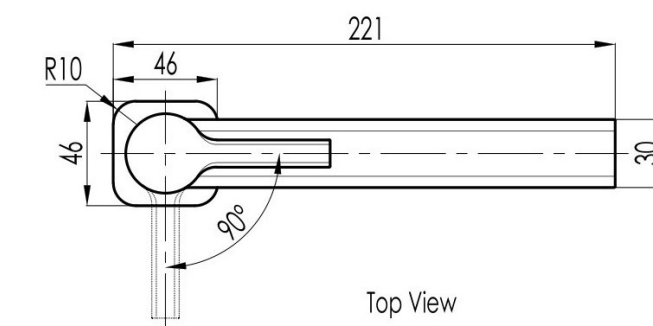
TALL WASHBASIN TAP

Features

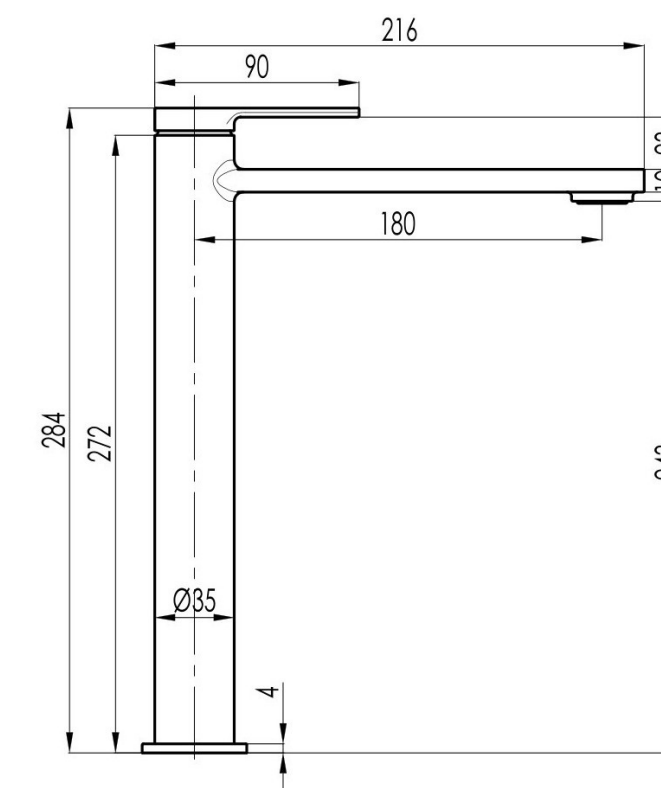
Ahti Interiors commits to providing sustainable solutions where possible. This product water flow is limited to 5L/min

- 25mm cartridge with European Technology
- Cold Start Technology (Energy Saving).
- Durable and High Quality Finish.
- Brass Construction.
- Recessed Aerator for a Sleek and Stylish Appearance.
- Coloured Hot and Cold Indicators
- 5L/min Water Saving Flow Technology .
- Deck Mounted
- Designed in London, UK

Note: This product has a visible Ahti logo

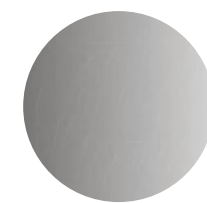


Top View

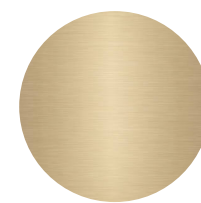


Side View

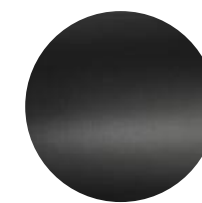
Available in



Chrome
Electroplated
F-WBT03C



Brushed Gold
PVD
F-WBT03G



Matte Black
Electroplated
F-WBT03B

Cleaning & Care

- All surfaces should be cleaned with mild liquid detergent or soap and water.
- Do not use cream cleaners or citrus based cleaning products, as they are abrasive.
- Use of unsuitable cleaning agents may damage the surface.
- Any damage caused in this way will not be covered by warranty.
- Please visit www.ahtiinteriors.com/warranty to view the full warranty

Ahti Interiors reserves the right to make modifications without prior notice. Physical colour may differ from the image shown. Always use physical product measurements for mark-ups and roughing in as line the line drawing shown may differ from actual product received. All measurements are shown in millimetres.