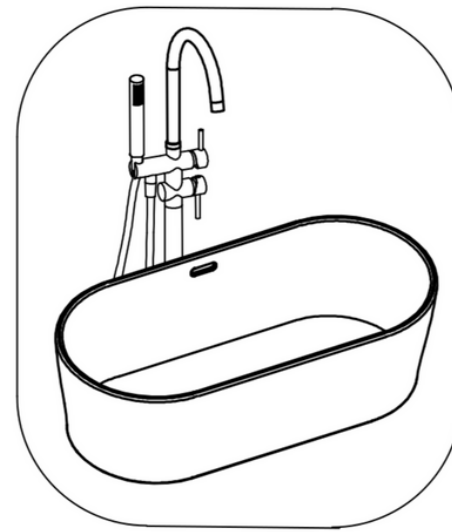
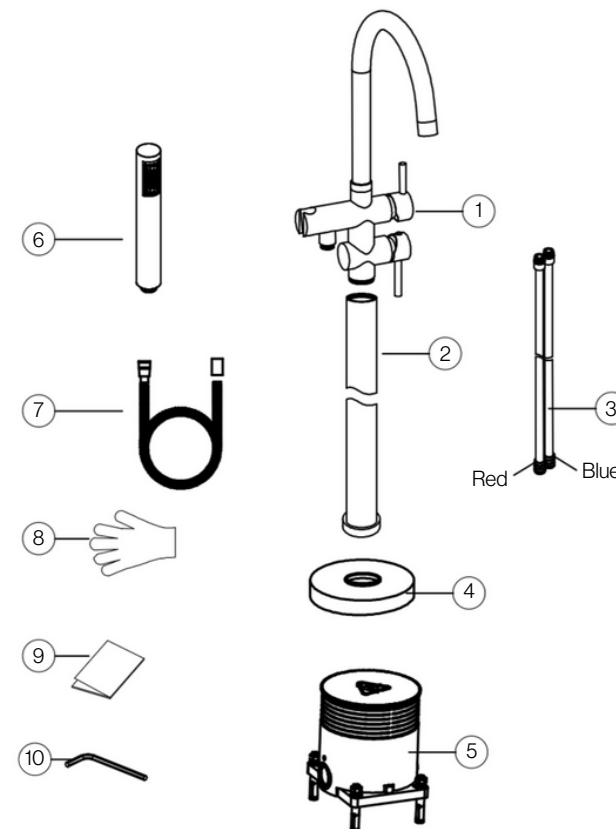


Freestanding Bath Mixer



1. Please check the parts carefully according to the standard parts list after you pick out the products. Please contact us if there are any missing parts.

No	Name	Quantity
1	Body Assembly	1
2	Straight Tube	1
3	Inlet Pipe	2
4	Escutcheon	1
5	Embedded Box	1
6	Hand Shower	1
7	Shower Hose	1
8	Gloves	1
9	Instructions	1
10	Hexagon Screw	1



2. In order to guarantee the water flowing smoothly, you have to clear out any mud and sand in the pipe before connecting the inlet pipes.

3. The height of your bath should match with the dimensions of our freestanding bath mixer.

1

Open the embedded box cover.

2

Remove the plate and plug by hexagon screw.

3

Cut the embedded box along the tiles surface by knife.

4

Install the escutcheon from the top of the tube;

Connect the inlet pipes to the body by hexagon screw.

5

Connect the upper tube to the body.

6

Connect the plate to the tube through the screws using the hexagon screw.

7

Put the inlet pipes into the relative holes of the embedded box;

Adjust the position of the spout and bath;

Connect the plate into the embedded box through the plate screws.

8

Install the hand shower and shower hose.

9

Total assembly picture.